



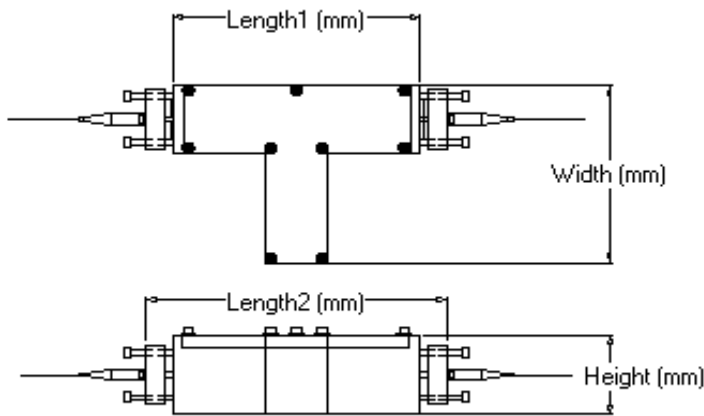
TRIAD TECHNOLOGY INC.

Spectroscopy Solutions

FIBER COUPLED REFERENCE CELL TECHNICAL INFORMATION

Our fiber coupled vapor and gas cells are very precise wavelength reference devices. There are two standard housing types: Single Pass and Three Pass. In the single pass housing, the source beam pass thru the reference cell once. Internal reference cell has a length of 50mm. In the single pass housing, the source beam pass thru the reference cell tree times. Internal reference cell has a length of 75mm. The effective optical path for the three pass housing is 225mm. The fiber coupled housing can be configured with different type fiber and fiber connectors. The internal reference cell can be supplied with or without AR coated windows. Please call or email us with your reference cell requirements.

Single Pass Housing:



Length1:	75 mm	Length2 (with Collimators):	90 mm
Width:	60 mm	Height:	25 mm

Optical Properties:

Insertion Loss:	< 40%
Back Reflection Level:	60dB
Optical Path Length:	50 mm
Gas Cell Material:	Fused Silica tube with optical quality windows

Customer Interface

Fiber Type:	Single Mode SMF-28 9/125um, Acrylat coating
Fiber Jacket:	0.9 mm OD hytrel jacket
Length of Fiber:	1.0 m \pm 0.1m standard
Connector Types:	FC/APC standard (Other connector also available)

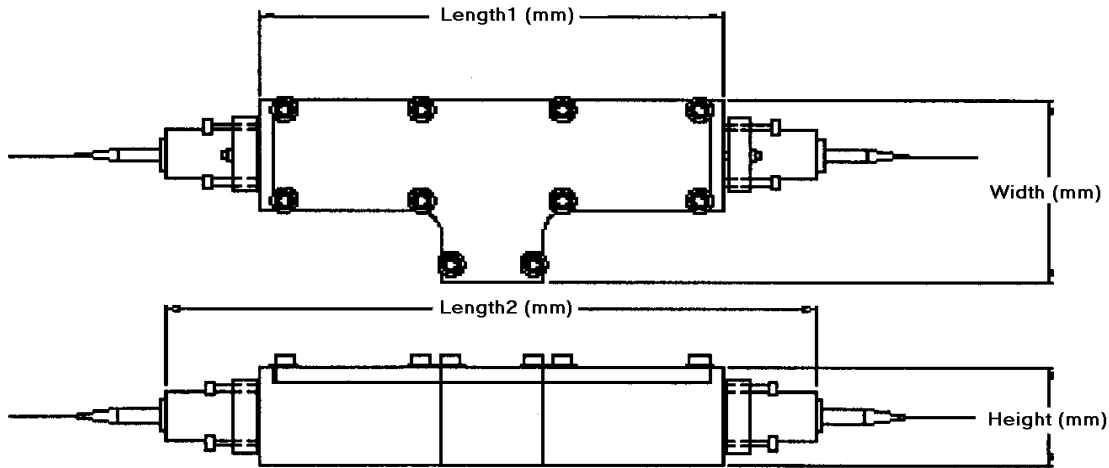


TRIAD TECHNOLOGY INC.

Spectroscopy Solutions

FIBER COUPLED REFERENCE CELL TECHNICAL INFORMATION

Three Pass Housing:



Length1:	115 mm	Length2 (With Collimators):	136 mm
Width:	49 mm	Height:	27 mm

Optical Properties:

Insertion Loss:	< 60%
Back Reflection Level:	60dB
Optical Path Length:	225 mm
Gas Cell Material:	Fused Silica tube with optical quality windows

Customer Interface

Fiber Type:	Single Mode SMF-28 9/125um, Acrylat coating
Fiber Jacket:	0.9 mm OD hytrel jacket
Length of Fiber:	1.0 m ± 0.1m standard
Connector Types:	FC/APC standard (Other connector also available)

Note: